

RUDOLF

BECAUSE WE CARE



# morceteC morcellator system

Simplicity and premium performance in one

## Outstanding benefits of the MorceTec Morcellator in detail

+ **Variable system**

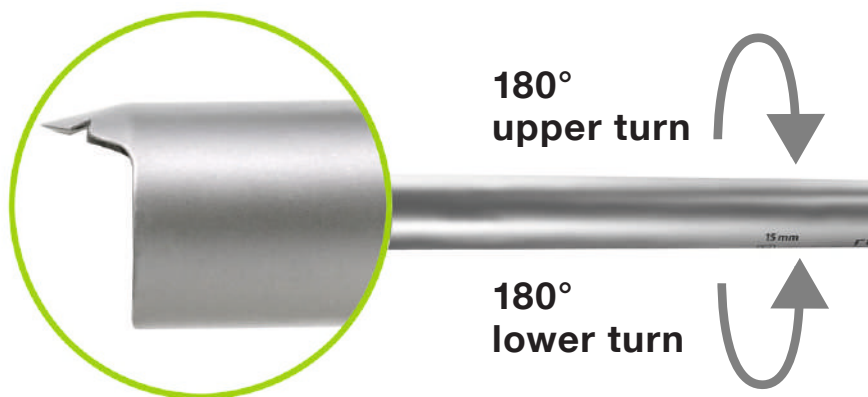
Knives with diameters of 12 mm, 15 mm and 20 mm allow an adaption to the size and toughness of the tissue to be removed.

+ **2 „Protected“ knife positions**

In these positions the security sleeve covers also the tip of the knife and protects therefore patient, user and theatre staff.

+ **Optimal guidance for quick and secure tissue extraction**

The guiding stud on the tip of the security sleeve allows for a good guidance on the upper edge of the tissue.



+ **Ergonomic handling at its best**

The 360° turning for the optimal positioning of the guiding stud enables an ergonomic working position of the user.

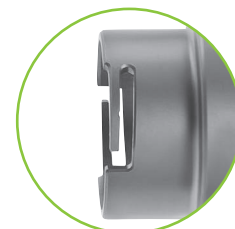
+ **Balance for a strain-free handling**

Due to the ergonomic handle and the pistol-grip design, the morcellator is well balanced thus offering a strain-free handling.

+ **Sealing unit**

Because of an easy bayonet locking system, the knives can be interchanged easily which allows a diameter adaption intra-operatively to the size and condition of the tissue.

Two sealing valves prevent gas leakage during tissue extraction.

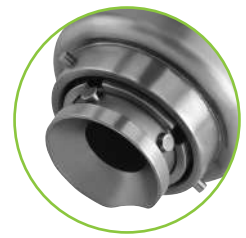




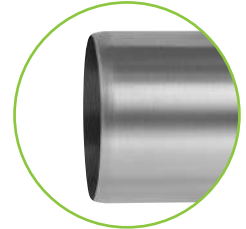
## Further advantages

### + **Secure knife fixation**

Distal notches on the knife are inserted into the slots of the distal end of the gear unit and thus fixate the knife securely also at high speed.



The hardened cutting tip of the knife guarantees sharpness and excellent cutting quality.



### + **Security sleeve with guiding stud**

No additional trocar sleeve is necessary  
■ corresponding cost saving

The notches on the guiding stud prevent twisting of the separated tissue around the security sleeve

■ continuous and quick extraction of tissue



### + **Control unit with Vario-Mode**

Easy to use as its operation is intuitive  
3 preset cutting speeds

Miniaturization allows a flexible positioning close to the user (e.g. on the equipment trolley).  
Because of the Vario-Mode a gentle speed increase of up to 1000 rpm is achieved.

### + **Powerful micromotor**

Torque of 80 Ncm is achieved due to a high-quality motor and the optimal power transmission by the gear unit.  
Even large organs and tough tissue can be morcellated easily.

## MorceTec Morcellator System



With the MorceTec Morcellator we offer a further important module for the tissue extraction in minimally invasive gynecological procedures.

The MorceTec Morcellator guarantees a quick and safe tissue morcellation of myoms or of the uterus especially during laparoscopic hysterectomies (e.g. LASH – laparoscopic supracervical hysterectomies).

The easy and intuitive handling is an important feature of the MorceTec morcellator system as a high-quality device. It unites high-tech, top functionality and robust technique in micro-format reaching performance at its best.

## Safety as top priority



The security position »Protected« is written on the black waist of the gear unit during the insertion of the knife. In this position the sharp edge of the knife is secured inside of the security sleeve. This position is achieved, when, from the perspective of the user, the guiding stud of the security sleeve is positioned at 180° = 6 o'clock and also at 0° = 12 o'clock. Then the security sleeve has to be turned into its first cutting position in order to activate the knife.

## Optimal positioning of the guiding stud for a strain-free handling



»Protected« Position (as seen from above)  
Connect sleeve with Guiding Stud at  
180° / 6 o'clock



1. Cutting position: Guiding Stud at 3 o'clock  
:  
7. Cutting position: Guiding Stud at 9 o'clock



»Protected« Position (as seen from above)  
Connected sleeve with Guiding Stud at  
0° / 12 o'clock




1. Cutting position: Guiding Stud at 9 o'clock  
:  
7. Cutting position: Guiding Stud at 3 o'clock

## Efficient tissue extraction



No additional trocar sleeve is necessary, since the security sleeve functions as a trocar during tissue extraction. Therefore the MorceTec morcellator is inserted, with the obturator directly into the abdomen, through one port of the instrument trocars.

After removal of the obturator the shaft is free for the tenaculum forceps (Ø 10 mm). With these forceps the tissue is positioned towards the cutting edge of the knife. It is important to close the jaws of the forceps well, in order to avoid any damage of the rotating knife by the protruding jaws.

Tissue condition	Art. no.	Description	Insert type
Tough cartilage tissue	<b>RS219-948</b>	Hook forceps, double action, Ø 10 mm, 330 mm length	

## Variable speed adaption



LOW = 100 - 400 rpm

MEDIUM = 300 - 700 rpm

HIGH = 500 - 1000 rpm

The Vario-Mode allows the fine speed adaption through the foot pedal.

## Technical details

<b>Voltage</b>	switchable: 100 V~/ 115 V~/ 230 V~, 50-60 Hz
<b>Power consumption</b>	60 VA
<b>Maximum power speed</b>	40'000 rpm
<b>Maximum torque</b>	80 Ncm
<b>Motor cable length</b>	3 m
<b>Pedal cable length</b>	3 m
<b>Morcellator speed</b>	50 – 1000 rpm
<b>Protection class</b>	Class II
<b>Dimensions (W x D x H)</b>	120 x 180 x 107 mm
<b>Net weight control unit</b>	1.8 kg

### GY800-2000 MorceTec Morcellator Set with Knife Ø 15 mm

Art.-No.	Description	Unit
GY800-201	MorceTec Control Unit	1 pc.
GY800-202	MorceTec Foot Pedal	1 pc.
GY800-203	MorceTec Motor	1 pc.
GY800-204	MorceTec Gear Unit	1 pc.
GY800-205	MorceTec Standard Handle	1 pc.
GY800-215	MorceTec Knife, Ø 15 mm	1 pc.
GY800-216	MorceTec Security Sleeve, Ø 15 mm	1 pc.
GY800-217	MorceTec Obturator, Ø 15 mm	1 pc.
RS219-948	Hook Forceps, double action, Ø 10 mm, 330 mm length	1 pc.
*RU 7790-044	NouClean Spray	1 pc.
RZ800-203	Connector for NouClean Spray for MorceTec Motor	1 pc.
RZ800-204	Connector for NouClean Spray for MorceTec Gear Unit	1 pc.
EP400-405	Seal for all knife diameters	5 pcs.
RZ800-215	Instrument Valve Ø 12 - 20 mm	10 pcs.

### Extension Set GY800-2012 Morcellator Set with Knife Ø 12 mm

Art.-No.	Description	Unit
GY800-212	MorceTec Knife, Ø 12 mm	1 pc.
GY800-213	MorceTec Security Sleeve, Ø 12 mm	1 pc.
GY800-214	MorceTec Obturator, Ø 12 mm	1 pc.

### Extension Set GY800-2020 Morcellator Set with Knife Ø 20 mm

Art.-No.	Description	Unit
GY800-220	MorceTec Knife, Ø 20 mm	1 pc.
GY800-221	MorceTec Security Sleeve, Ø 20 mm	1 pc.
GY800-222	MorceTec Obturator, Ø 20 mm	1 pc.

### Accessories and Spare Parts

Art.-No.	Description	Unit
RZ800-201	Fuse 1 AL FST	1 pc.
RZ800-220	Cable for Motor 3 m	1 pc.
RZ800-216	Sealing Unit	1 pc.
RZ800-205	Locking Ring for MorceTec Standard Handle	1 pc.
RZ800-206	Set Release Lever for MorceTec Standard Handle	1 pc.

\*Subsequent article is not delivered with the control unit, because of the dangerous goods declaration. It can be ordered in any official Nouvag Servicecenter ([www.nouvag.com](http://www.nouvag.com)).

### GY800-2000 MorceTec Morcellator Set with Knife Ø 15 mm

Art.-No.	Description	Unit
GY800-201	MorceTec Control Unit	1 pc.
GY800-202	MorceTec Foot Pedal	1 pc.
GY800-203	MorceTec Motor	1 pc.
GY800-204	MorceTec Gear Unit	1 pc.
GY800-205	MorceTec Standard Handle	1 pc.
GY800-215	MorceTec Knife, Ø 15 mm	1 pc.
GY800-216	MorceTec Security Sleeve, Ø 15 mm	1 pc.
GY800-217	MorceTec Obturator, Ø 15 mm	1 pc.
RS219-948	Hook Forceps, double action, Ø 10 mm, 330 mm length	1 pc.
*RU 7790-044	NouClean Spray	1 pc.
RZ800-203	Connector for NouClean Spray for MorceTec Motor	1 pc.
RZ800-204	Connector for NouClean Spray for MorceTec Gear Unit	1 pc.
EP400-405	Seal for all knife diameters	5 pcs.
RZ800-215	Instrument Valve Ø 12 - 20 mm	10 pcs.

### Extension Set GY800-2012 Morcellator Set with Knife Ø 12 mm

Art.-No.	Description	Unit
GY800-212	MorceTec Knife, Ø 12 mm	1 pc.
GY800-213	MorceTec Security Sleeve, Ø 12 mm	1 pc.
GY800-214	MorceTec Obturator, Ø 12 mm	1 pc.

### Extension Set GY800-2020 Morcellator Set with Knife Ø 20 mm

Art.-No.	Description	Unit
GY800-220	MorceTec Knife, Ø 20 mm	1 pc.
GY800-221	MorceTec Security Sleeve, Ø 20 mm	1 pc.
GY800-222	MorceTec Obturator, Ø 20 mm	1 pc.

### Accessories and Spare Parts

Art.-No.	Description	Unit
RZ800-201	Fuse 1 AL FST	1 pc.
RZ800-220	Cable for Motor 3 m	1 pc.
RZ800-216	Sealing Unit	1 pc.
RZ800-205	Locking Ring for MorceTec Standard Handle	1 pc.
RZ800-206	Set Release Lever for MorceTec Standard Handle	1 pc.

\*Subsequent article is not delivered with the control unit, because of the dangerous goods declaration. It can be ordered in any official Nouvag Servicecenter ([www.nouvag.com](http://www.nouvag.com)).







RUDOLF Medical GmbH + Co. KG, represented worldwide, translates its belief in lasting values by fostering close customer relationships and offering innovative high technology products, hand instruments, rigid endoscopes as well as efficient services for numerous surgical disciplines:

- GENERAL SURGERY
- THORAX SURGERY
- CARDIOVASCULAR SURGERY
- HEAD & NECK SURGERY
- SKULL BASE SURGERY
- NEUROSURGERY
- ORTHOPAEDICS
- SPORTS MEDICINE
- LAPAROSCOPY
- GYNAECOLOGY
- UROLOGY
- CSSD ACCESSORIES